

# FOXY CARBON RR, CARBON/SILVER/RED, 2021

obj. č.: 638984766



Odporúčaná cena

**6.599,00 EUR**

## Technické špecifikácie

### vyrábané veľkosti

S 380mm / M 420mm / L 470mm / XL 510mm

### hmotnosť

13,8 Kg

### rám

Foxy 29 Stealth Air full Carbon, Zero Suspension System, 150mm travel, Forward Geometry, aluminium CSC upper link with carbon bridge, Boost 12x148mm rear axle, tapered head tube, 73mm BSA bottom bracket, dedicated 1x drivetrain design, HHG internal cable routing, Enduro MAX sealed bearings, shock mudguard, ISCG 05, custom frame protectors. Optional Geometry kit: steering cups: +/- 1

### vidlica

Ohlins RXF 36 M.2 29, 160mm, TTX18 Twin Tube cartridge, tapered steerer tube, Boost 15x110mm axle, offset 44mm. Settings: high speed compression lever with climb mode, low-speed compression, rebound, air preload, ramp chamber

### hlavové zloženie

Onoff Titan tapered for 1-1/8 to 1-1/2 head tube, ACB sealed bearings, top 41.8x30.5x8x45x45, bottom 51.9x40x8x45x45

### prehadzovačka

Sram GX Eagle, Type 3 roller bearing clutch, cage lock, 1x12s, X-Actuation 1:1

### radenie

Sram Trigger GX Eagle, 12s, X-Actuation 1:1

### brzdové páčky

Sram G2 RS, SwingLink, tool-free reach adjust

### kluky

Sram GX Eagle, Boost, DUB axle, Direct mount chain ring, S/M size: 170mm, L/XL size: 175mm

### stredové zloženie

Sram DUB BSA, sealed bearings, 73mm

### riadidlá

Onoff Krypton Carbon 0.5, rise: 12,5mm, width: 780mm, 9 backsweep, 5 upsweep, 31,8mm barbore Onoff Desert, 1lock-on, 135mm, sizes: S/M L/XL

### predstavec

Onoff Krypton FG 30mm, 6061 forged alloy, 31,8mm barbore

**sedlovka**

Onoff Pija dropper internal, diameter 31.6mm, S size: 337x100mm, M size 387x125mm, L size: 425x150mm, XL size: 465x170mm

**sedlo**

SDG BEL-AIR 3.0, EVA foam, steel rails

**náboj předný**

DT 350, Boost 15x110mm, IS 6 bolts

**náboj zadný**

DT 350, Boost 12x148mm, 36T SL Ratchet system, IS 6 bolts, XD freehub

**řetěz**

Sram NX Eagle, 12s, Powerlock

**kazeta**

Sram XG-1275, 10-52T, 12s

**dróty**

DT Competition, straightpull

**ráfiky**

DT Swiss EX1700 Spline 29, 30mm internal width, welded aluminum, tubeless ready, 28 spokes

**plášte**

Maxxis Minion DHF 29x2.5 WT, tubeless ready, 3C MAXX TERRA compound, EXO+ protection, 120TPI, folding bead

**obj.c.**

010.21085

**tlmič**

Ohlins TTX Air 205x62.5mm. Settings: high speed compression lever with climb mode, low-speed compression, rebound, air preload. Trunnion top mount, 22.2x10mm bottom bushings

**předná brzda**

Sram G2 RS, 4-piston caliper, Centerline 200mm IS 6 bolts one-piece rotor, steel-backed organic pads

**zadná brzda**

Sram G2 RS, 4-piston caliper, Centerline 180mm IS 6 bolts one-piece rotor, steel-backed organic pads

**plášť zadný**

Maxxis Aggressor 29x2.3, tubeless ready, dual compound, Exo protection, 60TPI, folding bead

**nastavenia tlmiče**

C20 compression, R35 rebound

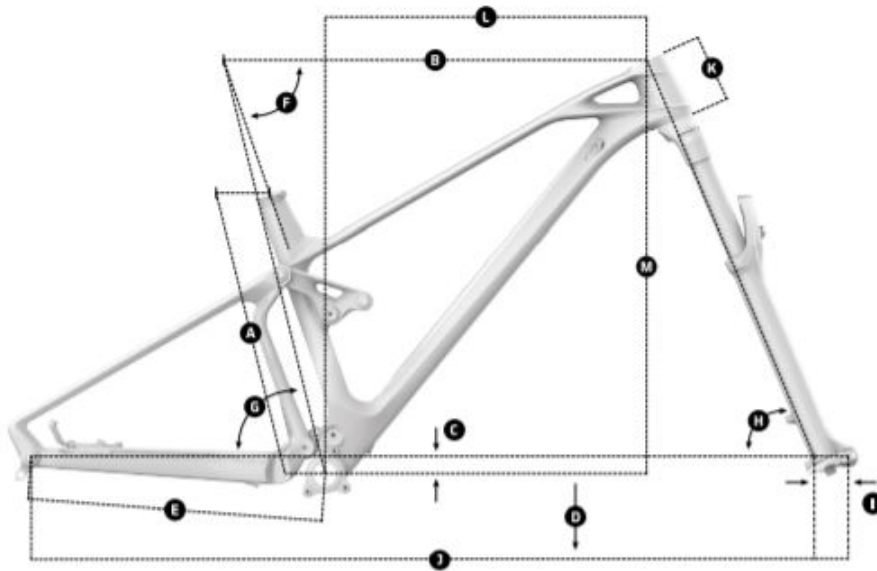
**prevodník**

32T, CNC-machined alloy, X-SYNC 2

**pátka k přehazovačce**

Mondraker M068

**Geometria**



## GEOMETRY

Size	S	M	L	XL
<b>A</b> Seat Tube Length	380 mm	420 mm	470 mm	510 mm
<b>B</b> Top Tube Length	606 mm	629 mm	654 mm	678 mm
<b>C</b> Bottom Bracket Drop	-21 mm	-21 mm	-21 mm	-21 mm
<b>D</b> Bottom Bracket Height	352 mm	352 mm	352 mm	352 mm
<b>E</b> Chainstay Legth	435 mm	435 mm	435 mm	435 mm
<b>F</b> Seat Tube Angle, Actual	70.5°	70.5°	70.5°	70.5°
<b>G</b> Seat Tube Angle, Effective	75.5°	75.5°	75.5°	75.5°
<b>H</b> Head Tube Angle	66°	66°	66°	66°
<b>I</b> Fork Offset	44 mm	44 mm	44 mm	44 mm
<b>J</b> Wheelbase	1187 mm	1210 mm	1236 mm	1262 mm
<b>K</b> Head Tube Length	90 mm	100 mm	115 mm	130 mm
<b>L</b> Reach	450 mm	470 mm	490 mm	510 mm
<b>M</b> Stack	605 mm	614 mm	628 mm	642 mm